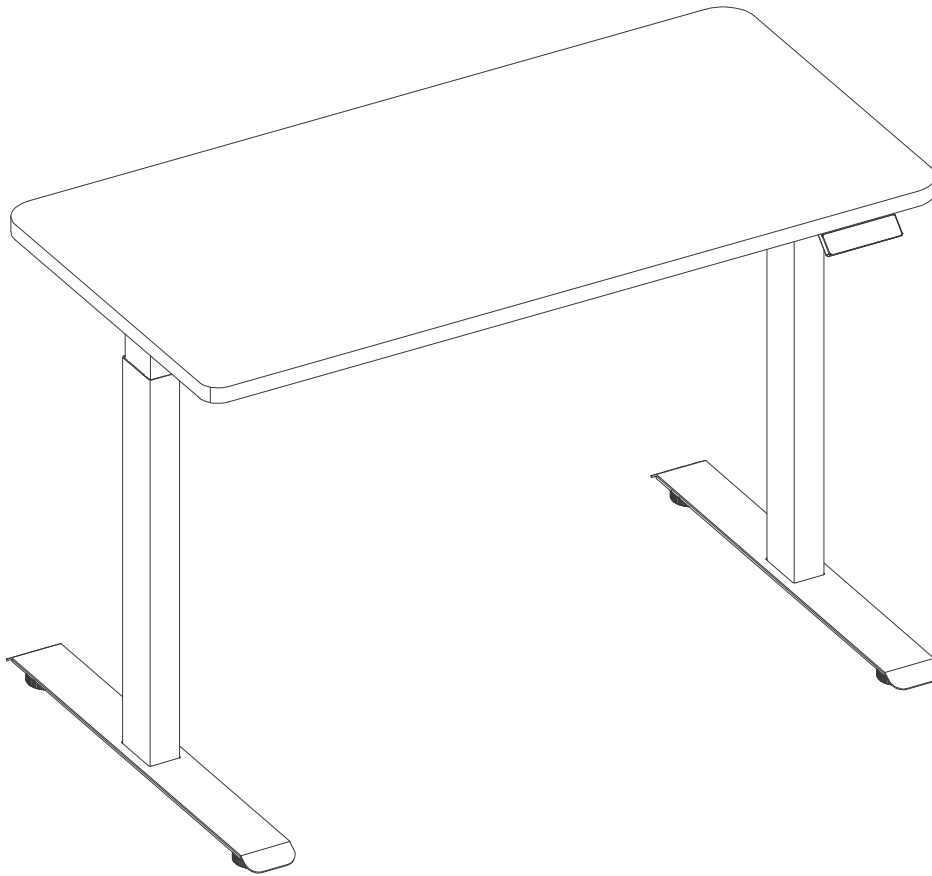
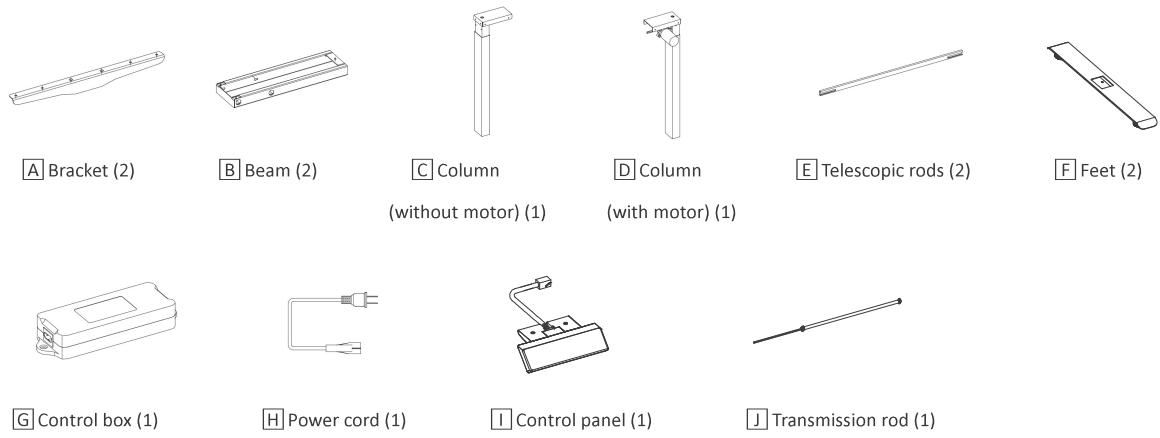


M220B Desk Frame Assembly Instructions

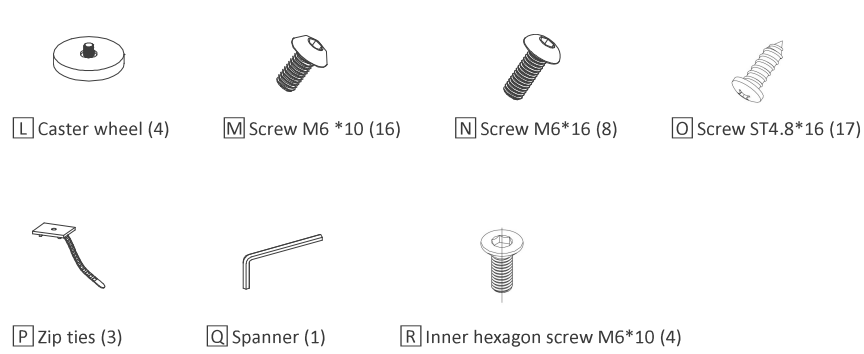


Instruction

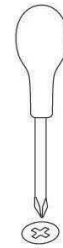
Component parts



List of screws

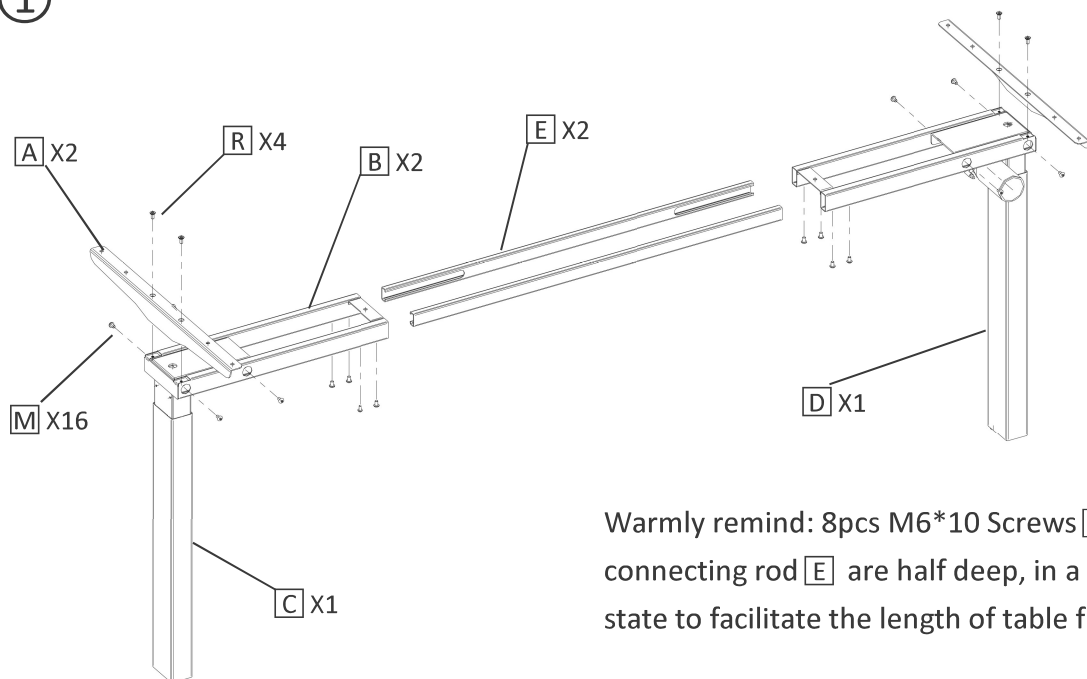


Extra tool for assembly:



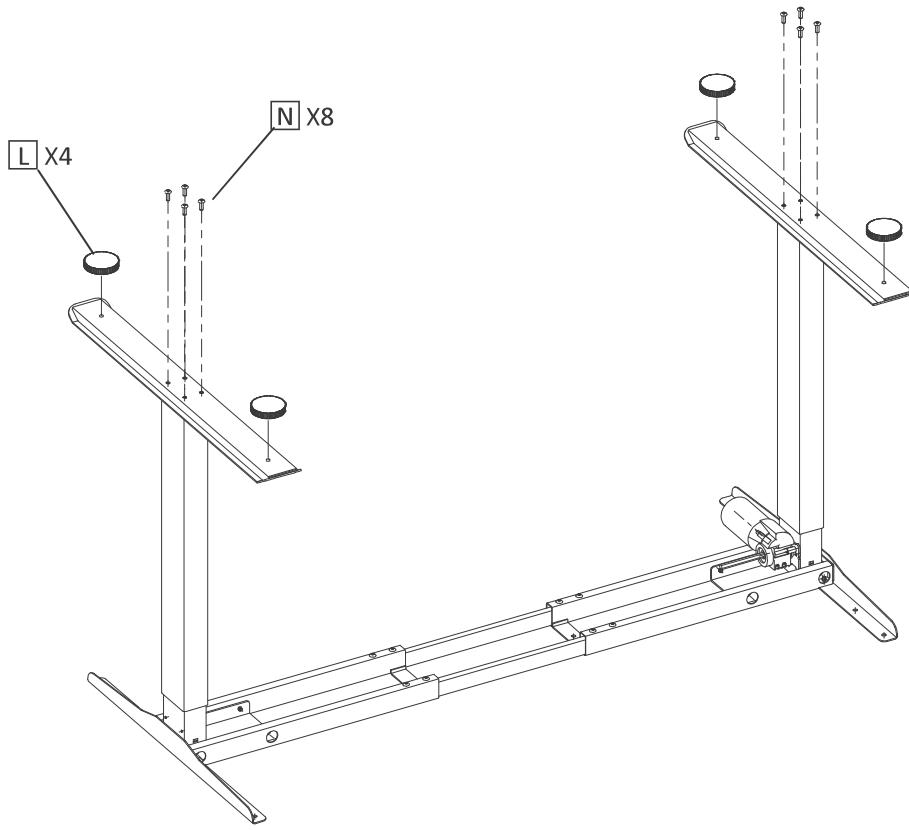
Phillips screwdriver(Non offer)

①

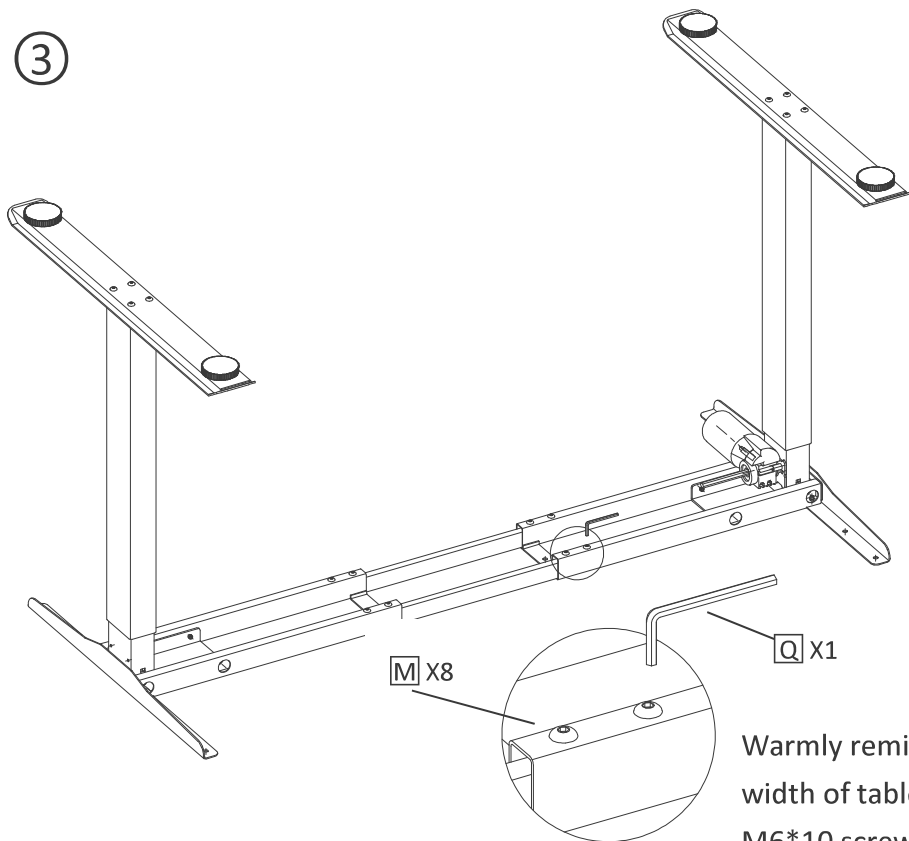


Warmly remind: 8pcs M6*10 Screws **M** at connecting rod **E** are half deep, in a loose state to facilitate the length of table frame.

②



③



Warmly remind: After adjust the width of table frame, tighten the M6*10 screw **M** with hex spanner **Q** to fix the telescopic rods **E**.

Warmly remind:

- ④ 1. During assemble the transmission rod **J**, if two columns assemble angle tilted and assemble incorrectly, please assemble the column(without motor) **C** first, then transmit hex rod with hand to align the other column(with motor) **D**.
2. Be sure to keep 1inch distance between the transmission rod and motor.
3. Tighten the plastic nut after the transmission rod is setup.

